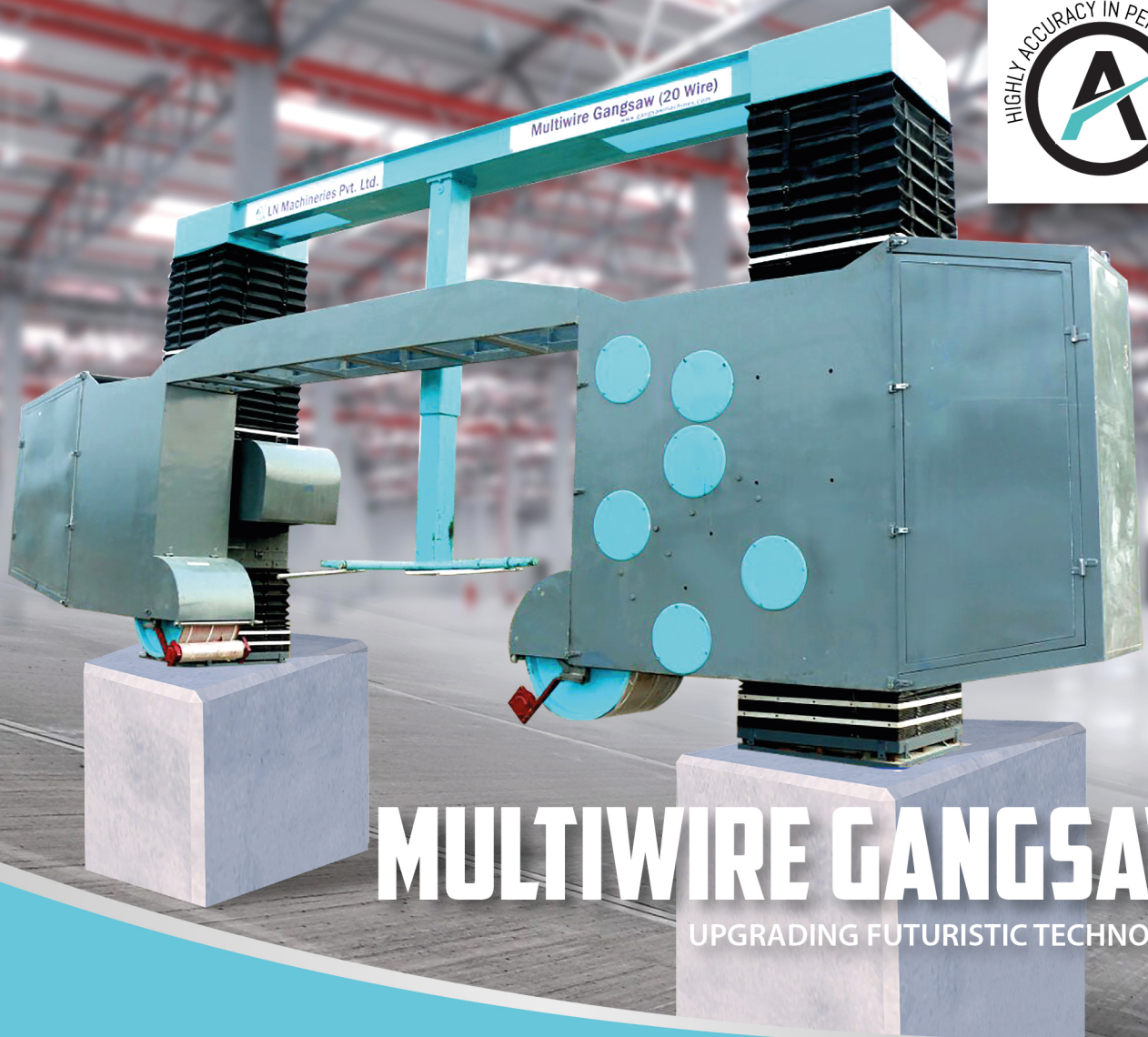




LN-MW

1-2-10-20-30-40-50-60-70-80 WIRES



MULTIWIRE GANGSAW

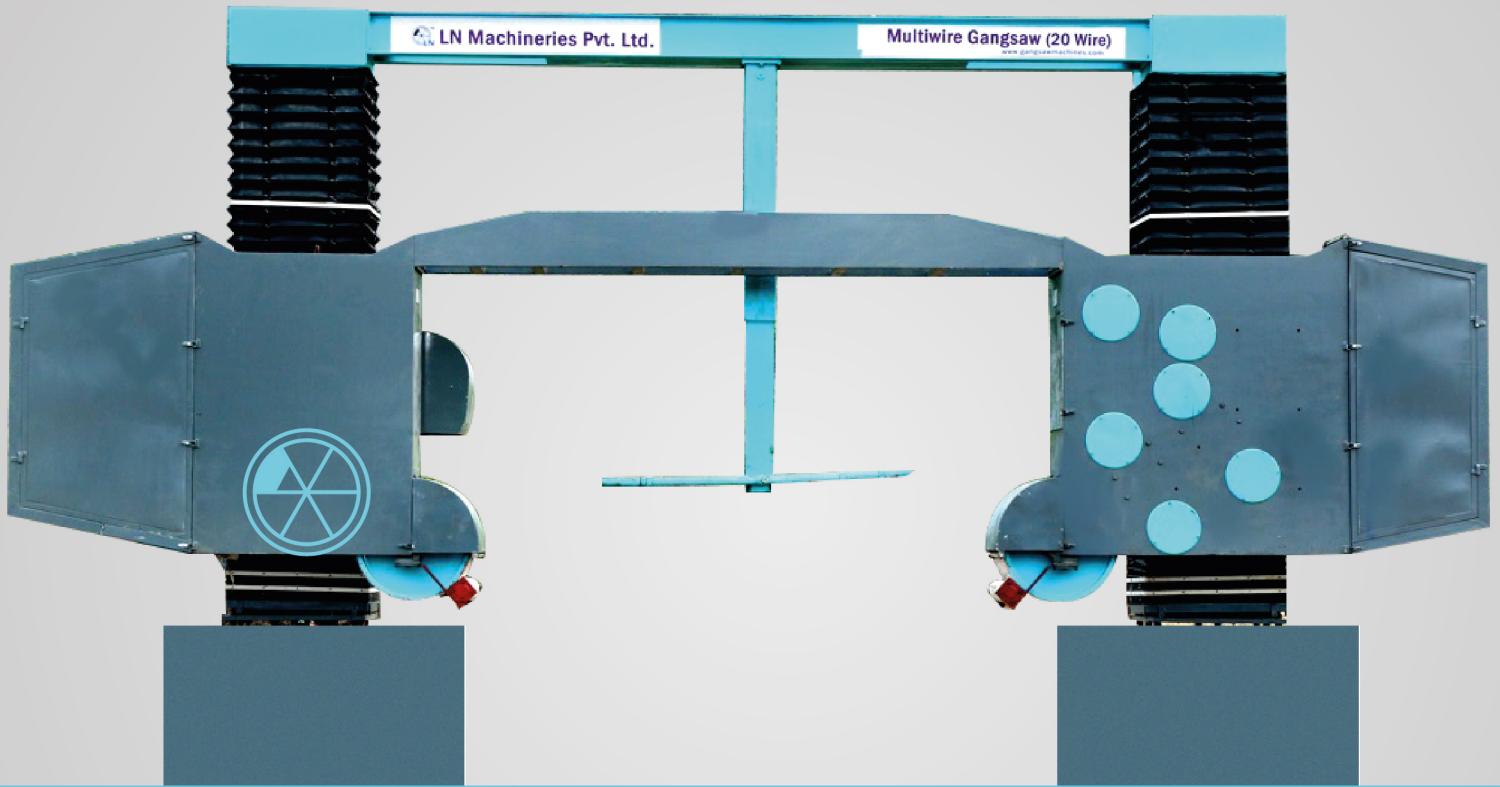
UPGRADING FUTURISTIC TECHNOLOGY



LN ENGINEERING

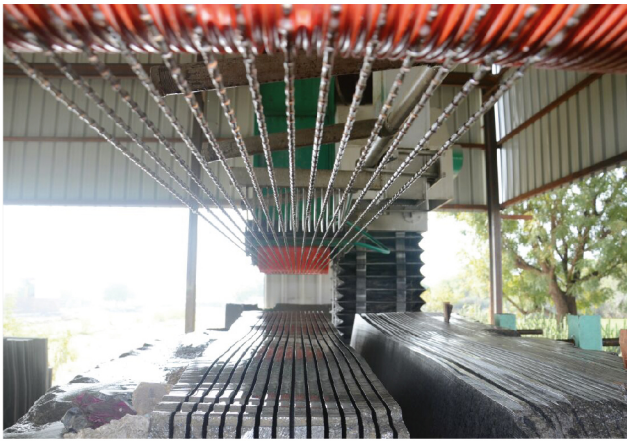
ACCURACY MASTER

www.lnmultiwiresaw.com



MULTIWIRE GANGSAW

For Sawing Stones (Marble, Granite, Alaska, Lava Stone & Sandstone) Blocks into slabs of any hardness



PERFORMANCE

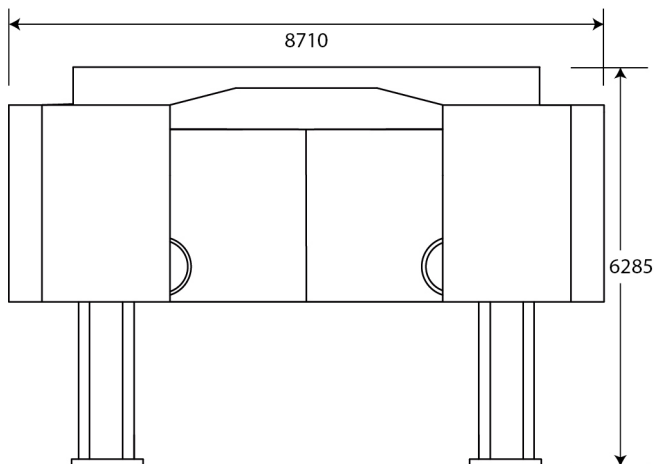
- Highly accurate in cutting
- Production continue guaranteed.
- Very easy to operate and handle for Indian operators.
- Vibration free cutting.

FEATURES

- Two tension system. (individual tension and main tension)
- All bearings are standard in size. (easily available)
- Heavy structure.
- All parts are inhouse designed and patented.
- Fully Automatic PLC panel.
Very simple Design. :Easily operational panel.

SPECIFICATION

Type	Granite, Marble, Feldspar, Alaska, Sandstone & Marble Cutting
Condition	New
Warranty	1year
Automation Grade	Fully Automatic
Brand Name	LN MULTIWIRE
Machine Type	Sawing / Dressing / Cutting
After-sales Service Provided	YES
Wire Diameter	5.3 / 6.3 / 7.3 mm





LN ENGINEERING



Accuracy Master

TECHNICAL DATA

MULTIWIRE GANGSAW

MODEL	LNMW12	LNMW22	LNMW32	LNMW41	LNMW64	LNMW76	LNMW80	LNMW90
Maximum No. of Wires	12	22	32	41	64	76	80	90
Diamond Wire Segment Dia(mm)	7.3 mm/6.3 mm/5.3 mm							
Slab Size Max (mm) Length x Width	2100 mm x 3600 mm							
Slab Thickness	20 mm / 30 mm							
Wire Span (mm)	314	600	886	1144	1800	2145	2259	2245
Main Motor (HP)	50	100	150	180	235	300	300	335
Wire Speed (Mtrs/Sec)	22 - 35							
Total Power (HP)	60	115	165	195	255	320	320	355
Machine Height (mm)	8710 mm							
Machine Length (mm)	6285 mm							

“LN” Brand Machines evolves with quality and consistency in term to produce hi-end quality granite / marble slabs with a very least slurry outcomes and wastage of material. It saws very smoothly having minimum thickness variation.

Accuracy Master



LN ENGINEERING



N. H. 8, Mokhampura, Rajsamand (Udaipur), Rajsamand, India 313326



+91 94136 38727, 98289 57057



www.lnmultiwiresaw.com



info@lnmultiwiresaw.com



SALES OFFICES :

• BANGALURU • COIMBTORE • SALEM • HYDERABAD • CHITTOR • ONGOLE •

